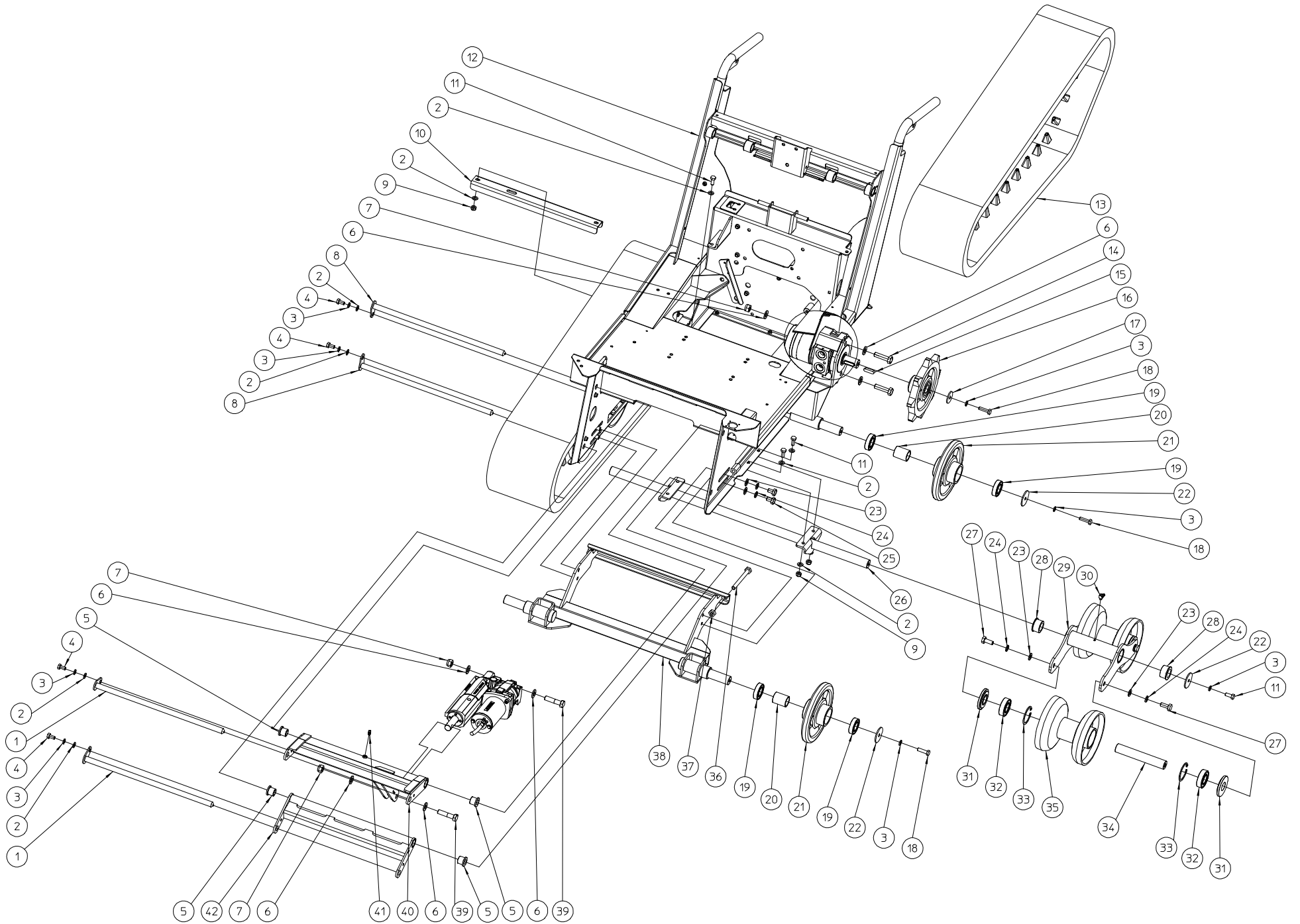


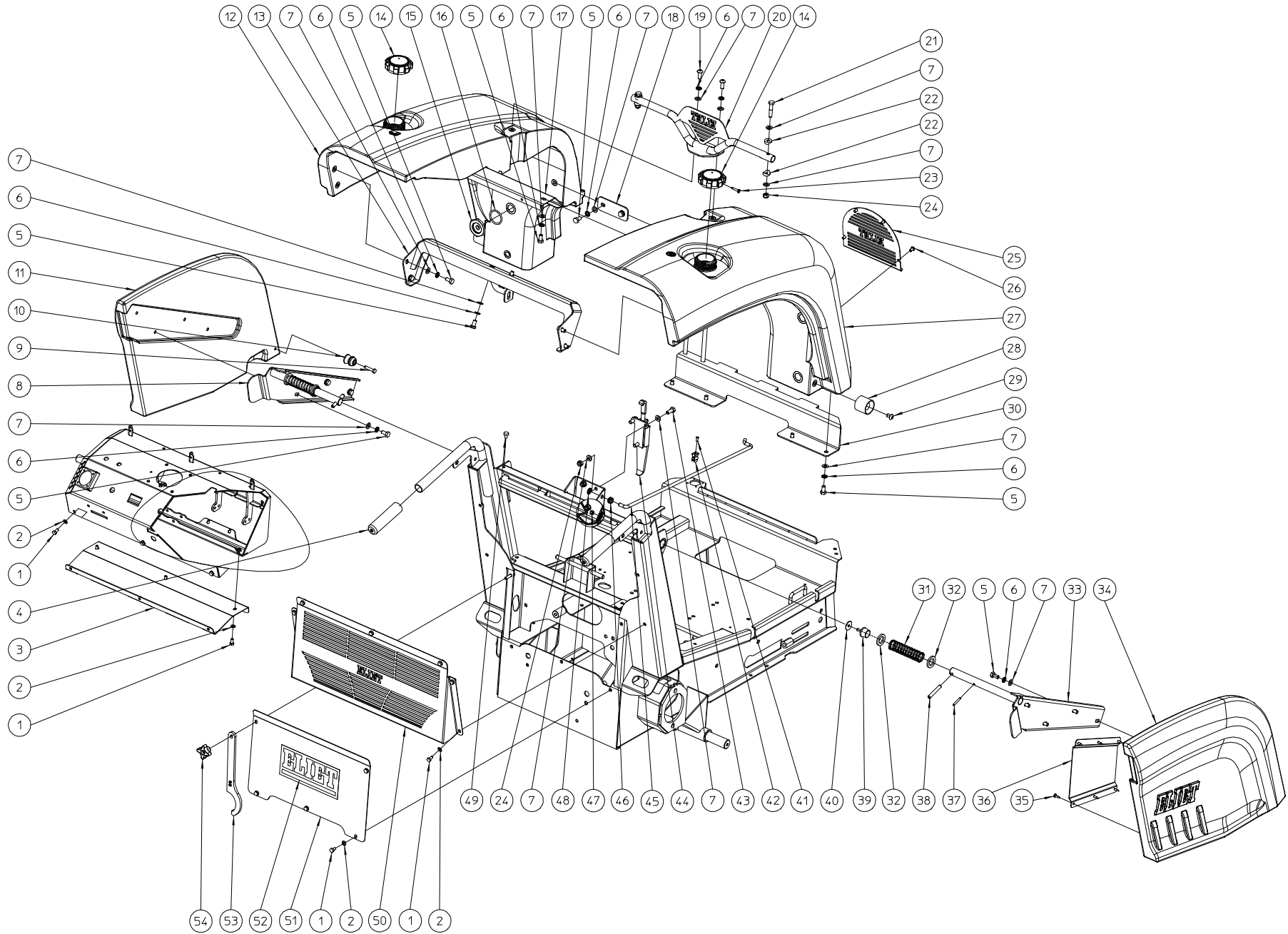
ELIET SNOWBOB 9018 -- GENERAL					
NO	MMA 01 310 100	REV	5	DATE	2014/01/22

#	Order nr	article description	quantity
1	MMA 01 310 110	chassis, drive	1
2	MMA 01 310 120	tank, side cover	1
3	MMA 01 310 130	handle-bars	1
4	MMA 01 310 140	electrics	1
5	MMA 01 310 150	blower	1
6	MMA 01 310 160	engine	1
7	MMA 01 310 170	transmission	1
8	MMA 01 310 180	hydraulics	1
9	MA 023 001 001	kit wheels milling tool	1
10	MA 023 001 002	kit extension exhaust	1
11	MA 023 001 004	kit protection transmission	1
12	MA 023 001 005	kit protection side milling tool	1



ELIET SNOWBOB 9018 -- CHASSIS						
NO	MMA 01 310 110	REV	3	DATE	2014/01/22	

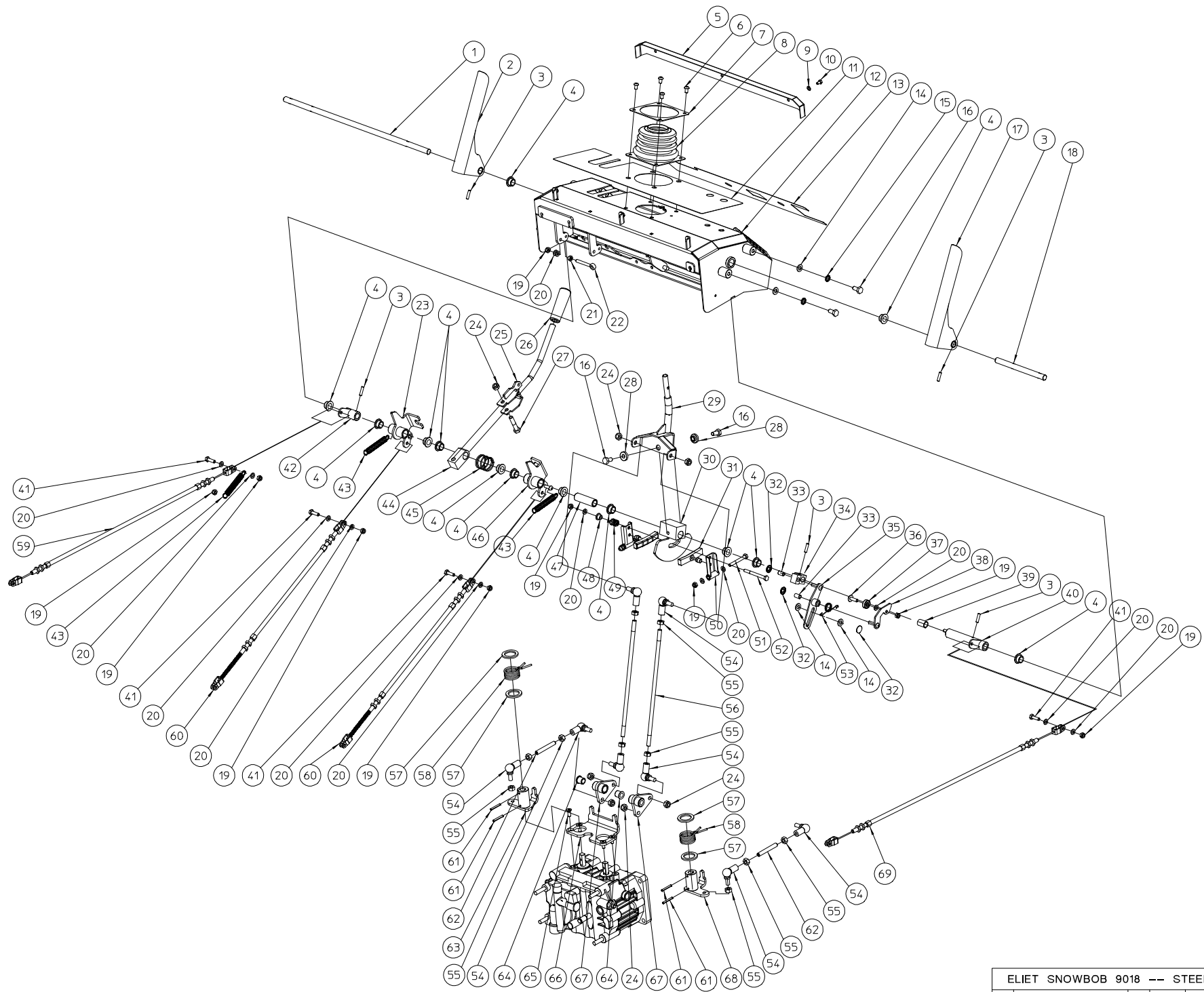
#	Order nr	article description	quantity
1	MPA 01 310 410	locking rod depth control auger	2
2	BS 531 000 800	washer m8 din 125	16
3	BS 533 000 800	lock washer m8 din 127b	13
4	BS 512 000 816	bolt m8x16 din 933	4
5	BR 112 152 090	nylon bushing with collar (15/21/27x21/3)	4
6	BS 531 001 200	washer m12 din 125	12
7	BS 502 001 200	self locking nut m12 din 985	6
8	MPA 01 310 400	locking rod depth control chassis	2
9	BS 502 000 800	self locking nut m8 din 985	6
10	MPA 01 310 750	reinforcement piece	1
11	BS 512 000 820	bolt m8x20 din 933	8
12	MPA 01 310 010	chassis snowbob	1
13	BW 820 072 310	crawler track 200 x 31 x 72 rr	2
14	BS 511 001 241	bolt m12x45 din 931	4
15	BB 351 080 732	key 8x7x32 din 6885a	2
16	MPA 01 310 050	gear	2
17	BS 532 008 356	washer m8x35x3	3
18	BS 512 000 830	bolt m8x30 din 933	7
19	BL 002 504 703	bearing 6005 zz	8
20	MPA 01 310 940	spacer ring	4
21	MPA 01 310 060	roller crawler track	4
22	MPA 01 310 760	precision washer protection	6
23	BS 531 001 000	washer m10 din 125	12
24	BS 533 001 000	lock washer m10 din 127b	12
25	BS 512 001 016	bolt m10x16 din 933	4
26	MPA 01 310 670	support tandem	1
27	BS 512 001 025	bolt m10x25 din 933	8
28	BR 112 262 110	nylon bushing with collar (26/35.5/40x21/2)	4
29	MPA 01 310 680	support roller	2
30	BY 100 106 200	grease fitting m6 45° din 71412	2
31	MPA 01 071 030	washer	8
32	BL 002 505 203	bearing 6205 zz	13
33	BB 002 000 520	retaining ring 52 din 472	14
34	MPA 01 071 040	axle idler	4
35	MPA 01 071 020	idler	4
36	BS 512 001 050	bolt m10x100 din 933	2
37	BS 501 001 000	nut m10 din 934	2
38	MPA 01 310 020	support tensioning roller	1
39	BS 511 001 242	bolt m12x50 din 931	2
40	MPA 01 310 380	arm depth control up	1
41	BY 100 106 100	grease fitting m6 din 71412	2
42	MPA 01 310 390	arm depth control down	1



ELIET SNOWBOB 9018 -- SIDE COVER					
NO	MMA 01 310 120	REV	3	DATE	2014/01/22

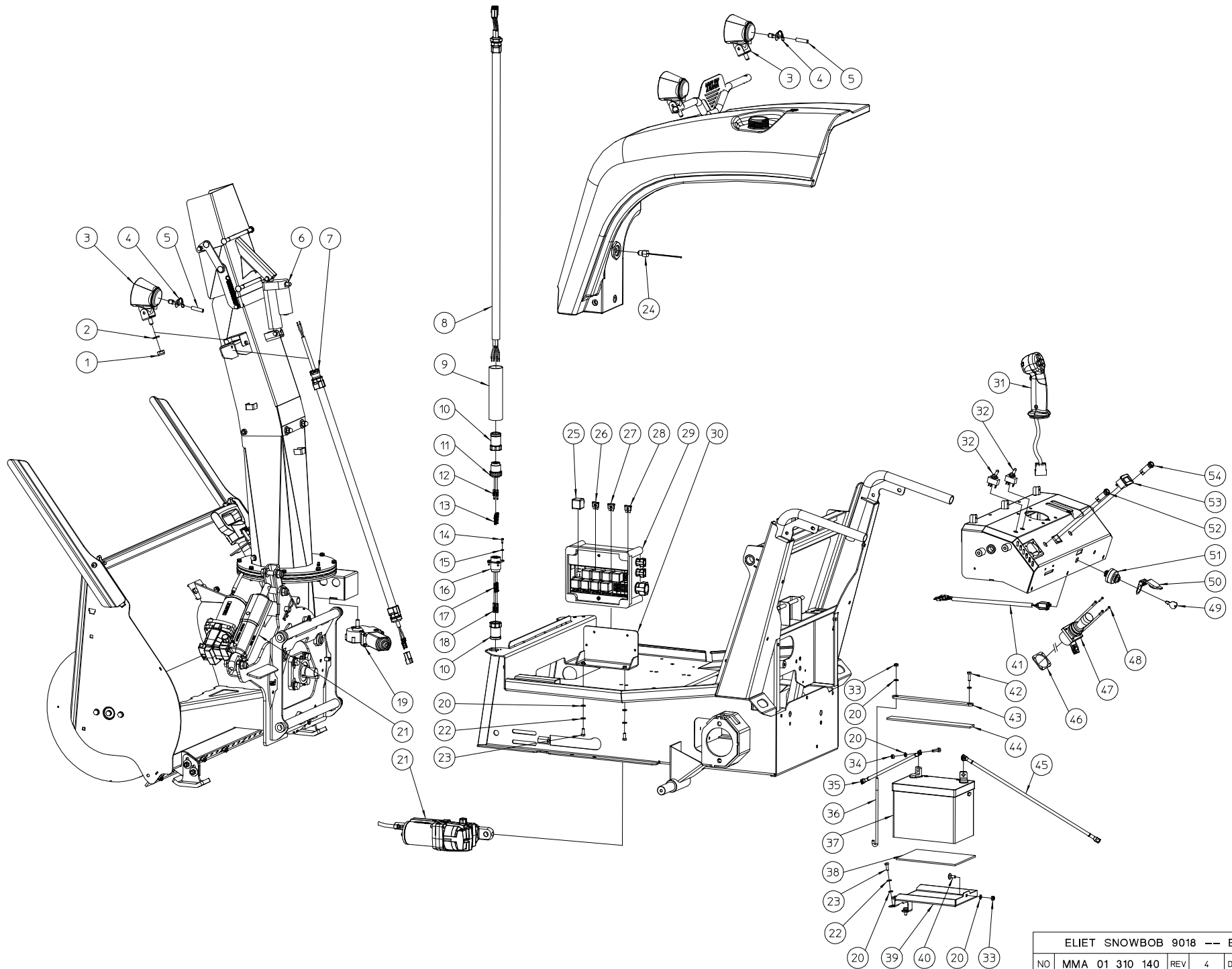
#	Order nr	article description	quantity
1	BS 512 000 612	bolt m6x12 din 933	17
2	BS 531 000 600	washer m6 din 125	17
3	MPA 01 311 990	cover control panel	1
4	BN 230 100 707	grip	2
5	BS 512 000 816	bolt m8x16 din 933	24
6	BS 534 000 800	lock washer m8 din 6798a	26
7	BS 531 000 800	washer m8 din 125	37
8	MPA 01 310 360	support protection left	1
9	BS 512 000 630	bolt m6x30 din 933	3
10	BO 530 600 001	hook	2
11	BR 930 020 030	cover right side snowbob	1
12	BR 930 020 010	gasoline tank snowbob 9018t	1
13	MPA 01 312 070	support tank top	1
14	BH 720 505 585	cap for tank	2
15	MPA 01 311 200	connector	1
16	BH 812 345 350	o-ring 34,52 x 3,53 mm viton	1
17	MPA 01 310 790	housing reinforcement	1
18	MPA 01 310 800	clamp housing	1
19	BS 522 500 820	screw m8x20 iso 7380	2
20	MPA 01 310 600	support lighting	1
21	BS 511 000 840	bolt m8x40 din 931	2
22	BR 011 901 050	saddle washer	4
23	BS 565 645 025	screw 4,5 x 25 mm	1
24	BS 502 000 800	self locking nut m8 din 985	5
25	MPA 01 310 770	screen	1
26	BS 522 500 610	screw m6x10 iso 7380	4
27	BR 930 020 020	oil tank snowbob 9018t	1
28	BO 530 600 002	socket	2
29	BS 522 500 812	screw m8x12 iso 7380	2
30	MPA 01 312 080	tank support under	1
31	BV 923 000 050	spring	2
32	BS 533 720 328	washer m20x32x4 din 1440	4
33	MPA 01 310 370	support protection right	1
34	BR 930 020 040	cover left side snowbob	1
35	BS 565 645 015	screw 4,5 x 15 mm	6
36	MPA 01 311 230	cover protection	1
37	BB 120 040 300	locking 4x30 din 1481	2
38	BB 120 080 500	locking 8x50 din 1481	2
39	BR 600 425 170	antivibration blocks 25x17b m6x18	2
40	BS 532 006 253	washer m6x25x1.5	10
41	BB 221 104 100	pop plug alu 3.9x10 din 7337 a	1
42	BV 211 502 400	clips for axe 8mm	1
43	BS 512 000 820	bolt m8x20 din 933	3
44	BO 160 020 350	latch hook	1
45	MPA 01 311 320	rod support tank	1
46	BR 000 208 030	rubber grommets 8/3	1
47	BS 502 000 600	self locking nut m6 din 985	2
48	BB 011 000 080	starlock 8mm	1
49	BR 602 006 151	rubber bumper	2
50	MPA 01 311 260	back protection	1
51	MPA 01 311 250	protection belts	1
52	BQ 501 010 030	sticker eliet 200x90	1

53	BG 700 708 081	pin spanner	1
54	BN 630 206 000	lob knob 188-40 m6	1



#	Order nr	article description	quantity
1	MPA 01 310 980	driving spindle auger	1
2	MPA 01 310 080	clutch handle auger	1
3	BB 120 050 200	locking 5x20 din 1481	5
4	BR 112 121 090	nylon bushing with collar (12/16/22x10/2)	13
5	MPA 01 311 100	inlet screen dashboard	1
6	BS 522 500 610	screw m6x10 iso 7380	4
7	MPA 01 371 120	support rubber joystick	1
8	BR 000 800 222	protective bellows	1
9	BS 531 000 500	washer m5 din 125	3
10	BS 512 000 508	bolt m5x8 din 933	3
11	BQ 501 260 012	sticker control panel 350 x 450 mm	1
12	MPA 01 311 980	control panel	1
13	BQ 501 260 022	sticker control panel under	1
14	BS 531 000 800	washer m8 din 125	6
15	BS 534 000 800	lock washer m8 din 6798a	4
16	BS 512 000 816	bolt m8x16 din 933	6
17	MPA 01 310 081	safety handle (presence control)	1
18	MPA 01 310 990	driving spindle pump	1
19	BS 502 000 600	self locking nut m6 din 985	10
20	BS 531 000 600	washer m6 din 125	16
21	BS 501 000 600	nut m6 din 934	1
22	BS 551 000 642	eye bolt m6x50 din 444	1
23	MPA 01 310 180	fork control low speed	1
24	BS 502 000 800	self locking nut m8 din 985	7
25	MPA 01 310 200	lever speedcontroler	1
26	BN 230 100 512	plastic grip Ø12mm	1
27	BS 511 000 840	bolt m8x40 din 931	1
28	MPA 01 310 970	lever control	2
29	MPA 01 312 030	joystick pump control	1
30	MPA 01 310 220	control pump	1
31	BA 410 100 100	kit brake friction pad	1
32	BB 011 000 080	starlock 8mm	3
33	BR 111 131 090	bushing	2
34	MPA 01 310 240	control lever to unblock	1
35	MPA 01 310 250	guide lever to unblock	1
36	BS 552 100 620	screw m12x40 type kf	1
37	BL 000 601 903	bearing ezo 606 zz	1
38	MPA 01 310 260	lever to unblock	1
39	BR 111 122 090	nylon bushing (12/14x20)	1
40	MPA 01 310 160	lever control coupling pump	1
41	BS 512 000 620	bolt m6x20 din 933	4
42	MPA 01 311 970	lever control coupling auger	1
43	BV 923 000 060	spring	3
44	MPA 01 310 950	speedcontroler control	1
45	BV 923 000 040	spring	1
46	MPA 01 310 190	fork control high speed	1
47	MPA 01 311 170	spacer bushing	1
48	BR 112 060 800	nylon bushing with collar (6/10/15x8.5/2)	1
49	BV 911 000 010	spring 14x2x16	1
50	MPA 01 310 230	support brake friction pad	2
51	BS 511 000 642	bolt m6x50 din 931	2
52	BS 511 000 645	bolt m6x65 din 931	1

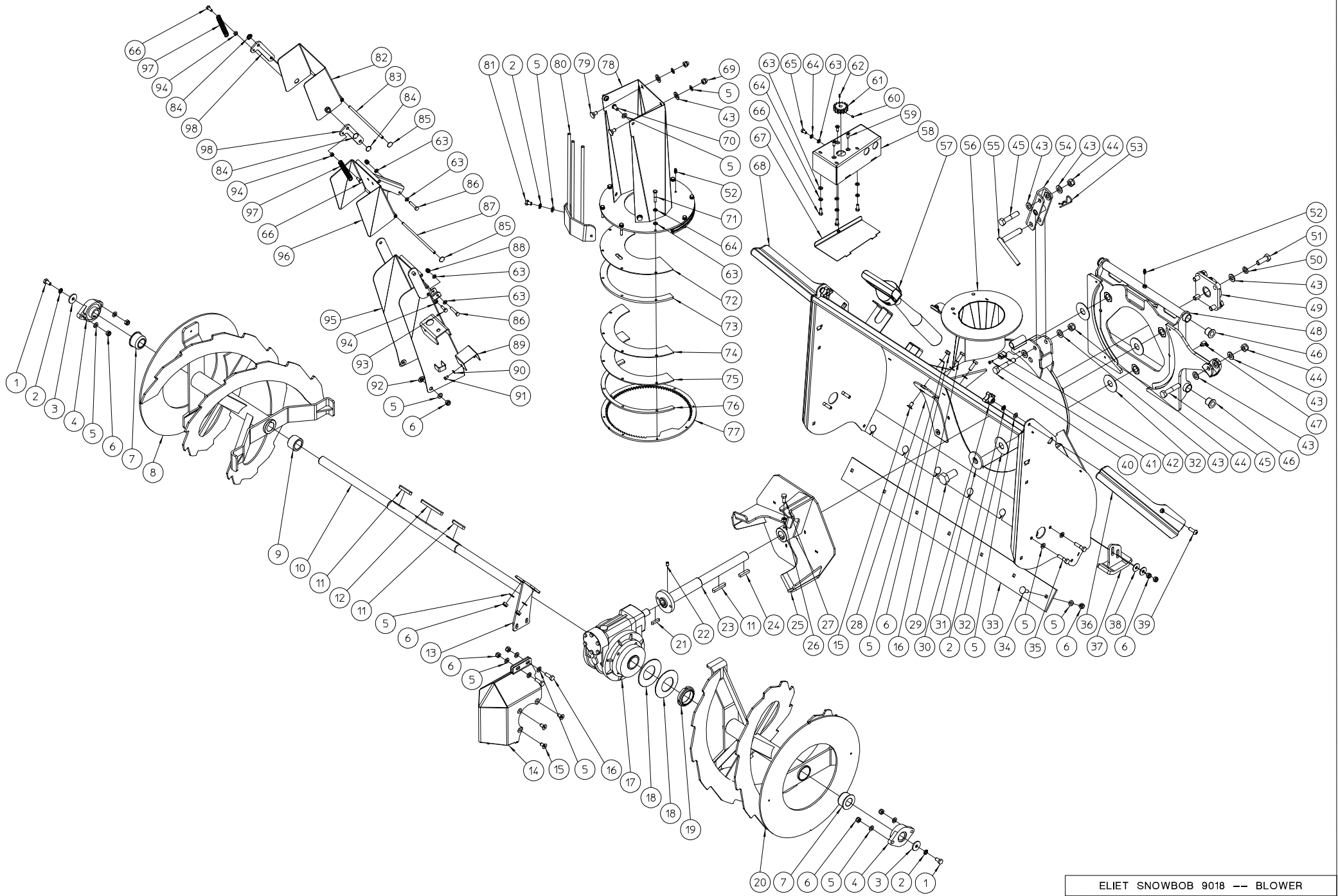
53	BV 923 000 030	spring	1
54	BA 230 010 800	ball joint m8	8
55	BS 501 000 800	nut m8 din 934	10
56	BS 581 200 805	stud m8x272 din 939	2
57	MPA 01 310 870	washer	4
58	BV 923 000 010	spring	2
59	BK 153 257 100	cable type 2 snowbob	1
60	BK 153 255 000	cable type 3 snowbob	2
61	BB 120 040 300	locking 4x30 din 1481	4
62	BS 523 100 844	set screw m8x60 din 913	2
63	MPA 01 310 130	lever control pump right	1
64	BR 112 101 490	nylon bushing with collar (10/14/17.5x14/1)	4
65	BS 522 100 616	screw m6x16 din 7991	4
66	MPA 01 310 100	position selector control pump	1
67	MPA 01 310 090	control pump	2
68	MPA 01 310 120	lever control pump left	1
69	BK 153 257 600	cable type 1 snowbob	1



ELIET SNOWBOB 9018 -- ELECTRIC					
NO	MMA 01 310 140	REV	4	DATE	2014/01/22

#	Order nr	article description	quantity
1	BS 502 001 000	self locking nut m10 din 985	1
2	BS 533 001 000	lock washer m10 din 127b	1
3	BY 707 040 401	working light modul 70 h3	3
4	BE 510 510 120	lamp h3 12v 55w	3
5	BR 701 020 005	sleeve	3
6	BA 700 300 100	linear motor 12vdc	1
7	BE 099 003 129	connector light spout	1
8	BE 099 003 130	electric connector - auger	1
9	BR 780 033 415	heat shrinkable sleeving 12x38	1
10	BE 071 160 101	adaptor nw17 - pma-amp sh17	2
11	BE 032 213 906	connector plug 10 positons cpc	1
12	BE 032 213 845	crimp contact	2
13	BE 032 166 103	crimp contact	6
14	BS 541 000 310	screw m3x10 din 84	4
15	BS 531 000 300	washer m3 din 125	4
16	BE 032 213 893	connector receptacle 10 positons cpc	1
17	BE 032 166 105	crimp contact	6
18	BE 032 213 847	crimp contact	2
19	BA 700 400 100	driving geared motor 12vdc	1
20	BS 531 000 600	washer m6 din 125	9
21	BA 700 500 100	actuator electro-hydraulic 12vdc	2
22	BS 533 000 600	lock washer m6 din 127b	4
23	BS 512 000 616	bolt m6x16 din 933	4
24	BE 600 208 996	level sensor	1
25	BE 160 013 000	reversing relay 12v	9
26	BE 100 704 000	midi-blade fuse 40a	2
27	BE 100 701 500	midi-blade fuse 15a	2
28	BE 100 700 500	midi-blade fuse 5a	1
29	BE 099 003 101	electric connector sb 9018 - control panel	1
30	MPA 01 310 590	support electric box	1
31	BE 120 070 022	joystick	1
32	BE 120 020 636	switch	2
33	BS 502 000 600	self locking nut m6 din 985	2
34	BS 501 000 600	nut m6 din 934	2
35	BE 090 280 301	red wire 16mm ² - 300mm	1
36	MPA 01 311 280	rod battery support	1
37	BE 240 120 300	battery 12v 30ah	1
38	BR 900 001 540	rubber protection battery snowbob	1
39	MPA 01 310 350	support batterie	1
40	BS 554 100 616	bolt m6x16 din 603	1
41	BE 099 003 111	electric connector sb 9018 - ignition key	1
42	BS 512 000 620	bolt m6x20 din 933	3
43	MPA 01 311 270	fixationplate battery	1
44	BR 900 001 550	rubber protection belt battery snowbob	1
45	BE 090 180 901	black wire 16mm ² - 900mm	1
46	MPA 01 311 240	fixation joystick	1
47	BE 120 029 121	joystick s8000+ connector	1
48	BS 522 500 316	screw m3x16 iso 7380	4
49	BM 260 691 959	ignition key	1
50	BM 261 000 010	protection ignition	1
51	BM 260 692 318	ignition switch	1
52	BE 120 021 140	led yellow	1

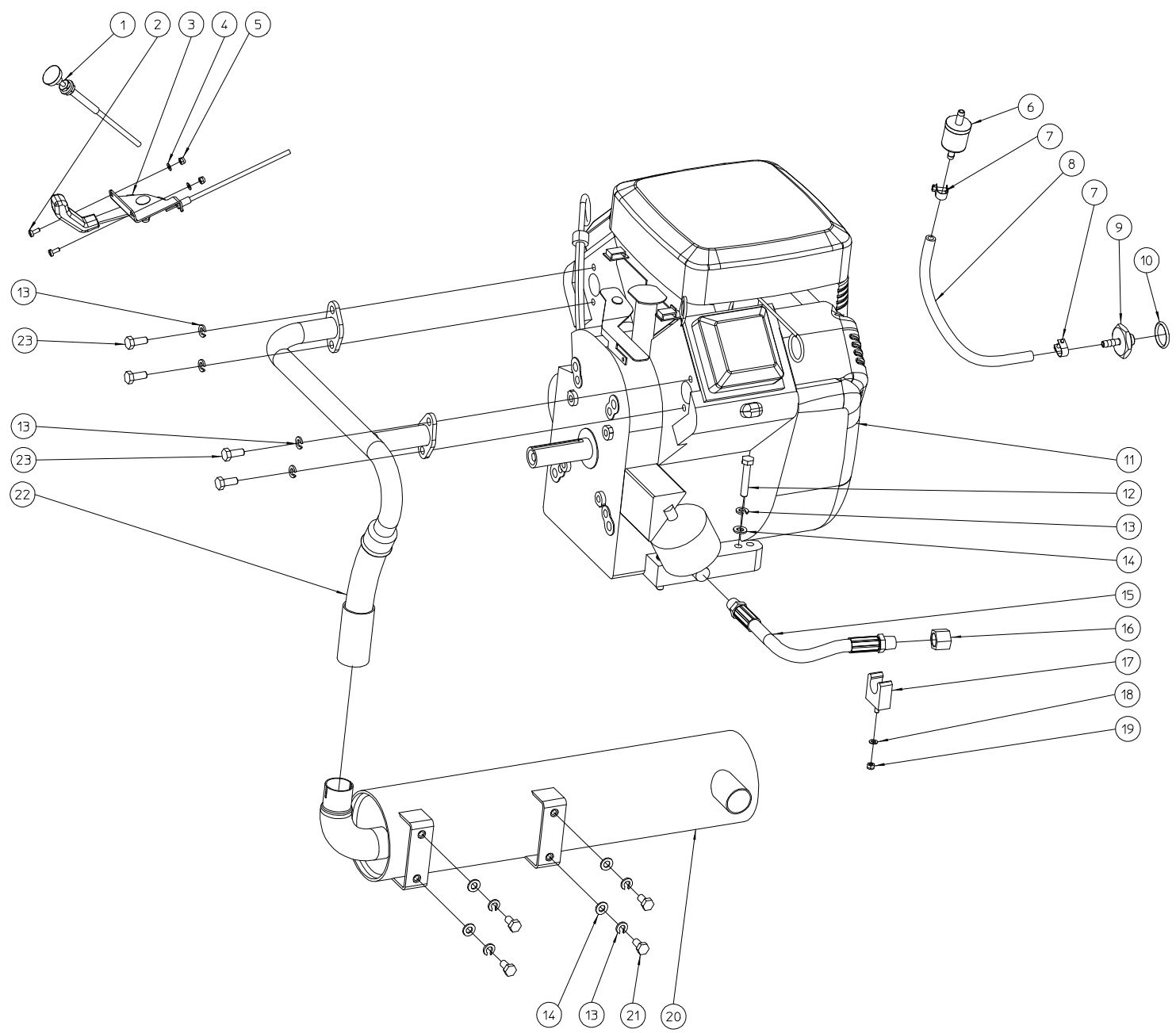
53	BE 412 430 000	maintenance meter	1
54	BE 120 020 140	led red	1



ELIET SNOWBOB 9018 -- BLOWER					
NO	MMA 01 310 150	REV	5	DATE	2014/01/22

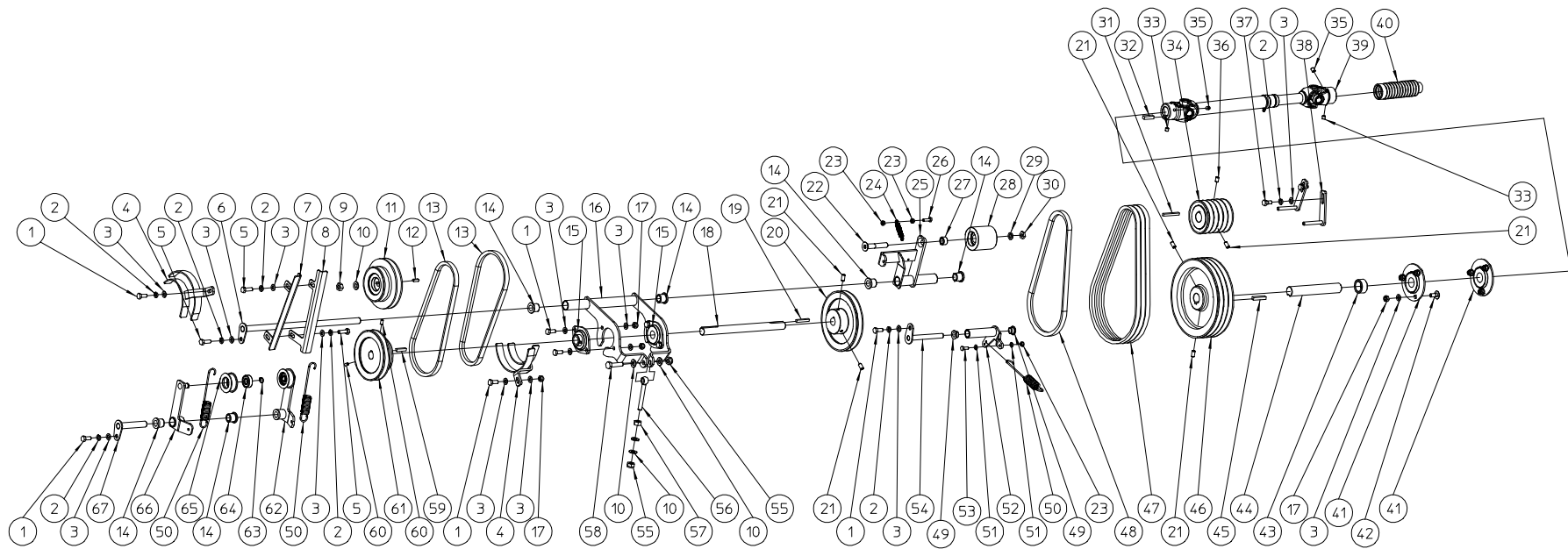
#	Order nr	article description	quantity
1	BS 512 000 816	bolt m8x16 din 933	2
2	BS 534 000 800	lock washer m8 din 6798a	6
3	BS 532 008 306	washer m8x30x3	2
4	BL 801 102 514	bearing + flanges asfw 205	2
5	BS 531 000 800	washer m8 din 125	42
6	BS 502 000 800	self locking nut m8 din 985	29
7	BR 112 263 000	nylon bushing with collar (26/42/48x30/2)	2
8	MPA 01 310 480	auger right	1
9	MPA 01 311 030	spacer ring	1
10	MPA 01 311 040	auger axle	1
11	BB 351 080 750	key 8x7x50 din 6885a	3
12	BB 351 080 790	key 8x7x90 din 6885a	1
13	MPA 01 310 460	support chassis box	1
14	MPA 01 310 470	chassis box	1
15	BS 522 100 816	screw m8x16 din 7991	9
16	BS 512 000 825	bolt m8x25 din 933	4
17	BA 670 301 002	reduction gearboxes ri70	1
18	BS 033 546 903	plate spring 90 x 46 x 2,5 din 2093 c	2
19	BS 508 004 507	locknut m45x1.5	1
20	MPA 01 310 490	auger left	1
21	BB 351 060 630	key 6x6x30 din 6885a	1
22	BS 023 000 810	set screw m8x10 din 916	1
23	MPA 01 310 570	axle turbine box	1
24	BB 341 080 735	key 8x7x35 din 6880	1
25	MPA 01 310 440	turbine snowbob	1
26	BS 501 000 800	nut m8 din 934	1
27	BS 512 000 820	bolt m8x20 din 933	1
28	MPA 01 310 890	anti retour	1
29	BS 512 002 040	bolt m20x40 din 933	3
30	BN 630 808 400	lob knob 188-40 m8	2
31	MPA 01 310 900	washer	3
32	BR 910 000 440	ertalon precision washer	6
33	MPA 01 310 880	knife	1
34	BS 554 100 825	bolt m8x25 din 603	12
35	BS 511 000 835	bolt m8x35 din 931	4
36	MPA 01 310 610	knife left	1
37	MPA 01 310 450	brake	2
38	BS 532 008 254	washer m8x25x2	4
39	BS 522 500 825	screw m8x25 iso 7380	2
40	BS 511 001 246	bolt m12x70 din 931	1
41	BS 541 000 410	screw m4x10 din 84	1
42	BV 211 502 400	clips for axe 8mm	1
43	BS 531 001 200	washer m12 din 125	16
44	BS 502 001 200	self locking nut m12 din 985	3
45	BS 511 001 244	bolt m12x60 din 931	2
46	BR 112 152 090	nylon bushing with collar (15/21/27x21/3)	4
47	BY 100 106 400	grease fitting m6 90° din 71412	2
48	MPA 01 310 430	support auger	1
49	BL 711 272 505	bearing ufc205	1
50	BS 533 001 200	lock washer m12 din 127b	4
51	BS 512 001 235	bolt m12x35 din 933	4
52	BY 100 106 100	grease fitting m6 din 71412	3

53	BB 040 103 060	hairpin cotter 3mm din 11024	1
54	MPA 01 312 010	u-part hinge auger	1
55	MPA 01 312 020	thornlever	1
56	MPA 01 312 040	chassis auger	1
57	MA 001 001 032	poker	1
58	MPA 01 312 110	engine support spout	1
59	BS 522 100 616	screw m6x16 din 7991	3
60	BS 023 000 405	set screw m4x6 din 916	1
61	BA 602 501 501	gear m2.5 15t	1
62	BB 351 030 310	key 3x3x10 din 6885a	1
63	BS 531 000 600	washer m6 din 125	16
64	BS 533 000 600	lock washer m6 din 127b	12
65	BS 512 000 612	bolt m6x12 din 933	1
66	BS 512 000 616	bolt m6x16 din 933	5
67	MPA 01 311 340	protectionplate engine spout	1
68	MPA 01 310 620	knife right	1
69	BS 505 800 800	nut m8 din 986	2
70	BS 522 500 816	screw m8x16 iso 7380	2
71	BS 511 000 635	bolt m6x35 din 931	8
72	BR 910 000 600	nylon 1 spout mill	2
73	BR 910 000 610	nylon 2 spout mill	2
74	BR 910 000 620	nylon 2 spout mill	2
75	MPA 01 370 830	support output deflector	2
76	MPA 01 370 840	spacer output deflector	2
77	MPA 01 370 850	toothed ring ejection tube Ø280x5	1
78	MPA 01 312 050	ejection tube	1
79	BS 554 100 816	bolt m8x16 din 603	2
80	MPA 01 310 520	protection blow chute	1
81	BS 512 000 812	bolt m8x12 din 933	2
82	MPA 01 310 540	directional valves blow chute low	1
83	MPA 01 311 080	axle valve - up	1
84	BB 011 000 080	starlock 8mm	4
85	BB 011 000 060	starlock 6mm	4
86	BS 512 000 635	bolt m6x35 din 933	2
87	MPA 01 311 090	axle valve - down	1
88	BS 505 500 600	nut m6 din 1587	2
89	MPA 01 311 310	protection	1
90	BS 531 000 500	washer m5 din 125	2
91	BS 512 000 508	bolt m5x8 din 933	2
92	BR 112 080 300	nylon bushing with collar (8.2/10.9/18x3.5/1.5)	2
93	BS 512 000 620	bolt m6x20 din 933	2
94	BS 501 000 600	nut m6 din 934	4
95	MPA 01 310 510	blow chute low	1
96	MPA 01 310 530	directional valves blow chute high	1
97	BV 923 000 070	spring	2
98	MPA 01 310 910	rod valves	2



ELIET SNOWBOB 9018 -- ENGINE					
NO	MMA 01 310 160	REV	3	DATE	2014/01/22

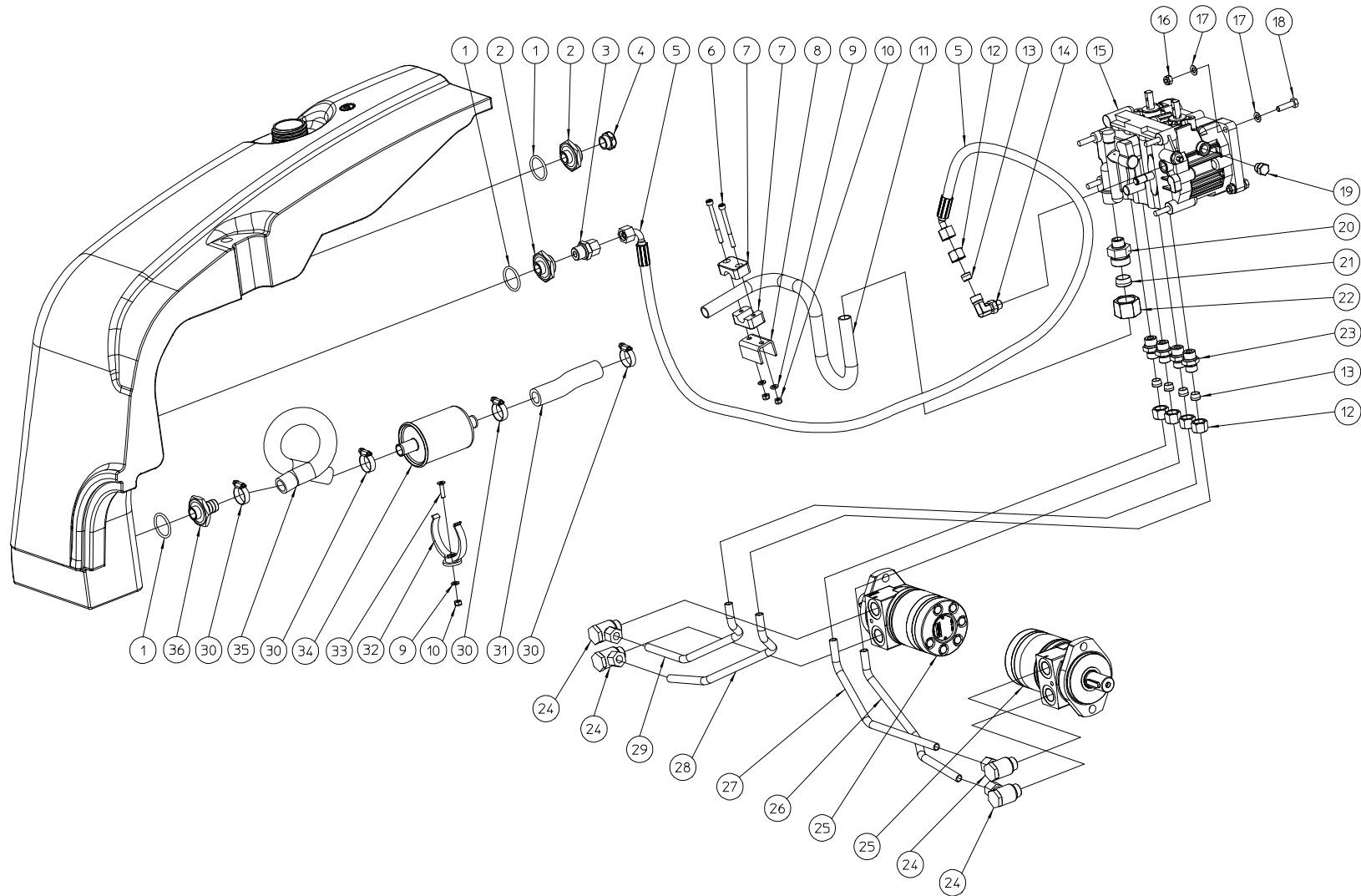
#	Order nr	article description	quantity
1	BK 181 151 060	choke control	1
2	BS 541 000 410	screw m4x10 din 84	2
3	BK 164 310 900	throttle control + cable	1
4	BS 531 000 400	washer m4 din 125	2
5	BS 502 000 400	self locking nut m4 din 985	2
6	BM 260 493 629	fuel filter	1
7	BT 670 111 130	hose clamp 11x13mm	2
8	BR 202 005 025	fuel hose 5.5x250mm	1
9	MPA 01 311 210	tailpiece	1
10	BH 812 249 350	o-ring Ø 24,99 x 3,53 mm viton	1
11	BM 201 318 001	b&s vanguard twin 18 hp	1
12	BS 512 000 841	bolt m8x45 din 933	4
13	BS 533 000 800	lock washer m8 din 127b	12
14	BS 531 000 800	washer m8 din 125	8
15	BH 551 060 320	flexible hydraulic hose 3/8"x320	1
16	BT 174 150 600	terminal nut 3/8"	1
17	BT 654 001 901	clam 19mm	1
18	BS 531 000 500	washer m5 din 125	1
19	BS 502 000 500	self locking nut m5 din 985	1
20	BM 261 300 701	muffler dinex	1
21	BS 512 000 816	bolt m8x16 din 933	4
22	MPA 01 310 340	muffler pipe	1
23	BS 512 000 820	bolt m8x20 din 933	4



ELIET SNOWBOB 9018 --- TRANSMISSION					
NO	MMA 01 310 170	REV	2	DATE	2014/01/22

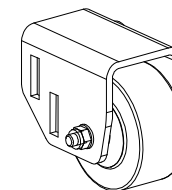
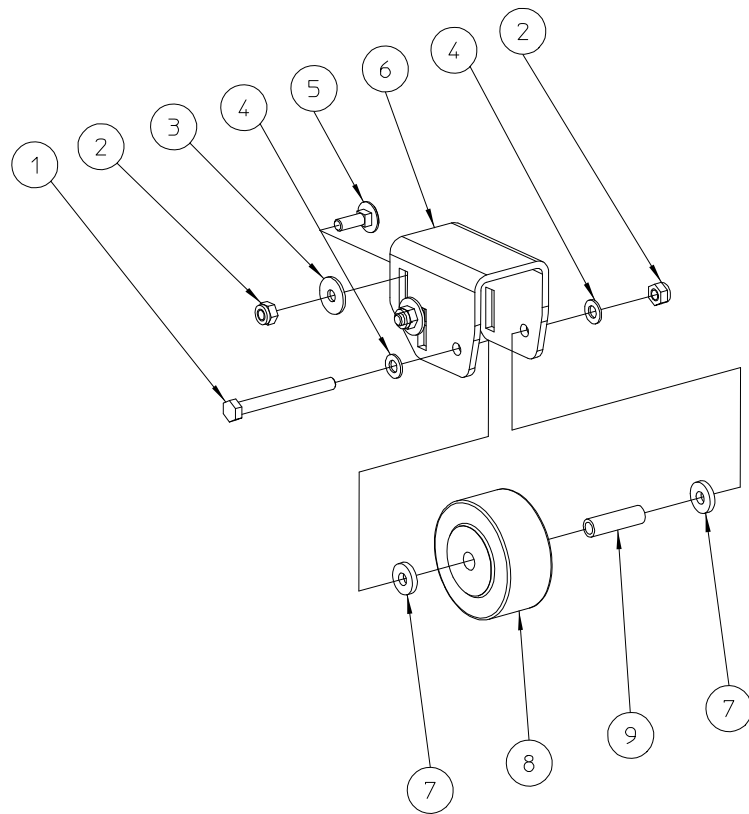
#	Order nr	article description	quantity
1	BS 512 000 820	bolt m8x20 din 933	8
2	BS 533 000 800	lock washer m8 din 127b	8
3	BS 531 000 800	washer m8 din 125	24
4	MPA 01 310 310	belt catcher	2
5	BS 512 000 825	bolt m8x25 din 933	3
6	MPA 01 310 320	locking rod transmission support	1
7	MPA 01 310 830	belt catcher - high speed	1
8	MPA 01 310 820	belt catcher - low speed	1
9	BS 501 071 000	nut m10 din 934 left-hand	1
10	BS 531 001 000	washer m10 din 125	5
11	BA 565 012 522	pulley spa ii 125x85	1
12	BB 351 050 518	key 5x5x18 din 6885a	1
13	BA 521 707 871	belt a 31 powerated	2
14	BR 112 152 090	nylon bushing with collar (15/21/27x21/3)	8
15	BL 801 102 001	bearing + flanges aspf 204	2
16	MPA 01 310 700	support bearing transmission	1
17	BS 502 000 800	self locking nut m8 din 985	11
18	MPA 01 311 010	transmission shaft pump	1
19	BB 341 060 640	key 6x6x40 din 6880	1
20	BA 565 715 001	pulley spa 150x20x6	1
21	BS 023 000 816	set screw m8x16 din 916	5
22	BS 522 101 246	screw m12x70 din 7991	1
23	BS 502 000 600	self locking nut m6 din 985	3
24	BV 011 311 005	spring 1,3x11x55	1
25	MPA 01 310 690	lever control	1
26	BS 512 000 620	bolt m6x20 din 933	1
27	MPA 01 311 120	spacer ring idler roller	1
28	BA 599 006 100	idler roller Ø50	1
29	BS 533 001 000	lock washer m10 din 127b	1
30	BS 501 901 000	nut m10 din 439	1
31	BB 341 060 650	key 6x6x50 din 6880	1
32	BB 341 080 730	key 8x7x30 din 6880	1
33	BS 023 000 808	set screw m8x8 din 916	2
34	BA 565 708 051	pulley spa v 80x25.4x6.4	1
35	BS 023 000 810	set screw m8x10 din 916	2
36	BS 023 000 812	set screw m8x12 din 916	1
37	BS 512 040 819	bolt unf 5/16"x3/4"	2
38	MPA 01 310 630	belt catcher	2
39	BA 224 100 400	shaft connector s1=480x=100mm d=25x8	1
40	BR 000 812 515	protective bellows	1
41	BL 801 502 500	bearing + flanges aspf 205	2
42	BS 554 100 820	bolt m8x20 din 603	6
43	MPA 01 311 020	spacer	1
44	MPA 01 311 000	transmission shaft auger	1
45	BB 341 080 740	key 8x7x40 din 6880	1
46	BA 565 720 031	pulley spa iii 200x25x8	1
47	BA 521 709 401	belt a 37 powerated	3
48	BA 521 208 000	belt xpa 800	1
49	BR 112 121 090	nylon bushing with collar (12/16/22x10/2)	2
50	BV 923 000 020	spring	3
51	BS 531 000 600	washer m6 din 125	2
52	MPA 01 310 140	lever control coupling	1

53	BS 512 000 616	bolt m6x16 din 933	1
54	MPA 01 310 150	locking rod lever control coupling pump	1
55	BS 502 001 000	self locking nut m10 din 985	2
56	BS 551 001 048	eye bolt m10x80 din 444	1
57	BS 501 001 000	nut m10 din 934	1
58	BS 512 001 040	bolt m10x40 din 933	1
59	BB 341 060 630	key 6x6x30 din 6880	1
60	BS 023 000 612	set screw m6x12 din 916	2
61	BA 565 012 521	pulley spa ii 125x85x20x6	1
62	MPA 01 310 300	lever coupling slow speed	1
63	BB 001 000 120	retaining ring 12 din 471	2
64	BL 001 203 203	bearing 6201 zz	2
65	BA 599 006 202	idler roller Ø44	2
66	MPA 01 310 290	lever coupling high speed	1
67	MPA 01 310 330	locking rod lever coupling	1



ELIET SNOWBOB 9018 -- HYDRAULICAL					
NO	MMA 01 310 180	REV	4	DATE	2015/11/18

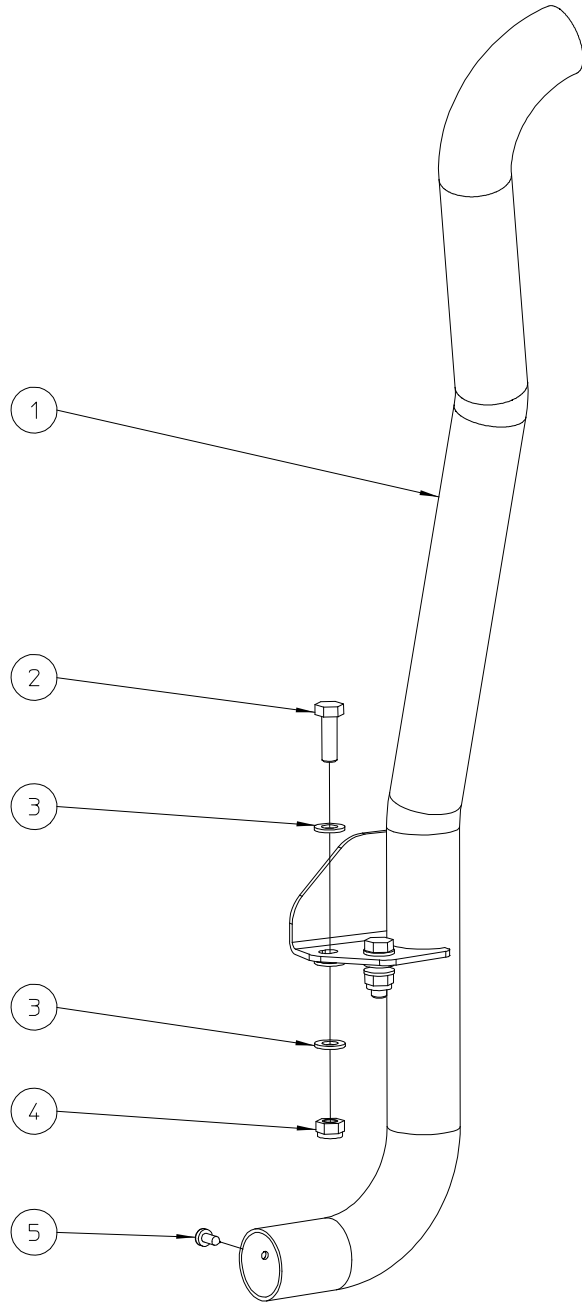
#	Order nr	article description	quantity
1	BH 812 345 350	o-ring 34,52 x 3,53 mm viton	3
2	MPA 01 311 360		2
3	BH 509 211 208	male stud coupling 12lx1/2"	1
4	BH 730 104 108	level gauge	1
5	BH 551 061 550	flexible hydraulic hose 3/8"x1550	1
6	BS 521 100 646	screw m6x70 din 912	2
7	BH 712 010 110	pipe clamp a-20mm	2
8	MPA 01 312 120		1
9	BS 531 000 600	washer m6 din 125	3
10	BS 502 000 600	self locking nut m6 din 985	3
11	MPA 01 311 740	hydraulic pipe suction Ø12mm	1
12	BH 508 121 200	nut 12l	5
13	BH 508 821 200	cutting ring 12ls	5
14	BH 522 091 214	stud elbows 12lx9/16" unf	1
15	BH 241 010 001	variable displacement pump 2 x 10cc	1
16	BS 502 000 800	self locking nut m8 din 985	4
17	BS 531 000 800	washer m8 din 125	8
18	BS 512 000 830	bolt m8x30 din 933	4
19	BH 500 514 000	blanking plug 9/16"unf	1
20	BH 509 292 019	male stud coupling 20lx3/4 unf bo	1
21	BH 508 842 000	cutting ring 20s	1
22	BH 508 142 000	nut 20s	1
23	BH 509 291 219	male stud coupling 12lx3/4 unf bo	4
24	BH 513 111 208	banjo 12lx1/2"	4
25	BH 332 519 500	hydraulic engine	2
26	MPA 01 311 810	hydraulic tube	1
27	MPA 01 311 800	hydraulic tube	1
28	MPA 01 311 830	hydraulic tube	1
29	MPA 01 311 820	hydraulic tube	1
30	BT 670 117 290	hose clamp 17x29mm	4
31	BR 201 019 015	flexible hose 19-150mm	1
32	BT 653 006 300	clam 63mm	1
33	BS 522 100 625	screw m6x25 din 7991	1
34	BH 280 119 190	hydraulic filter p17	1
35	BR 220 619 045	flexible suction pipe Ø19x450mm	1
36	MPA 01 311 330	tailpiece	1



ELIET SNOWBOB 9018 -- KIT ROUE FRAISE

NO	MA 023 001 001	REV	1	DATE	2014/01/30
----	----------------	-----	---	------	------------

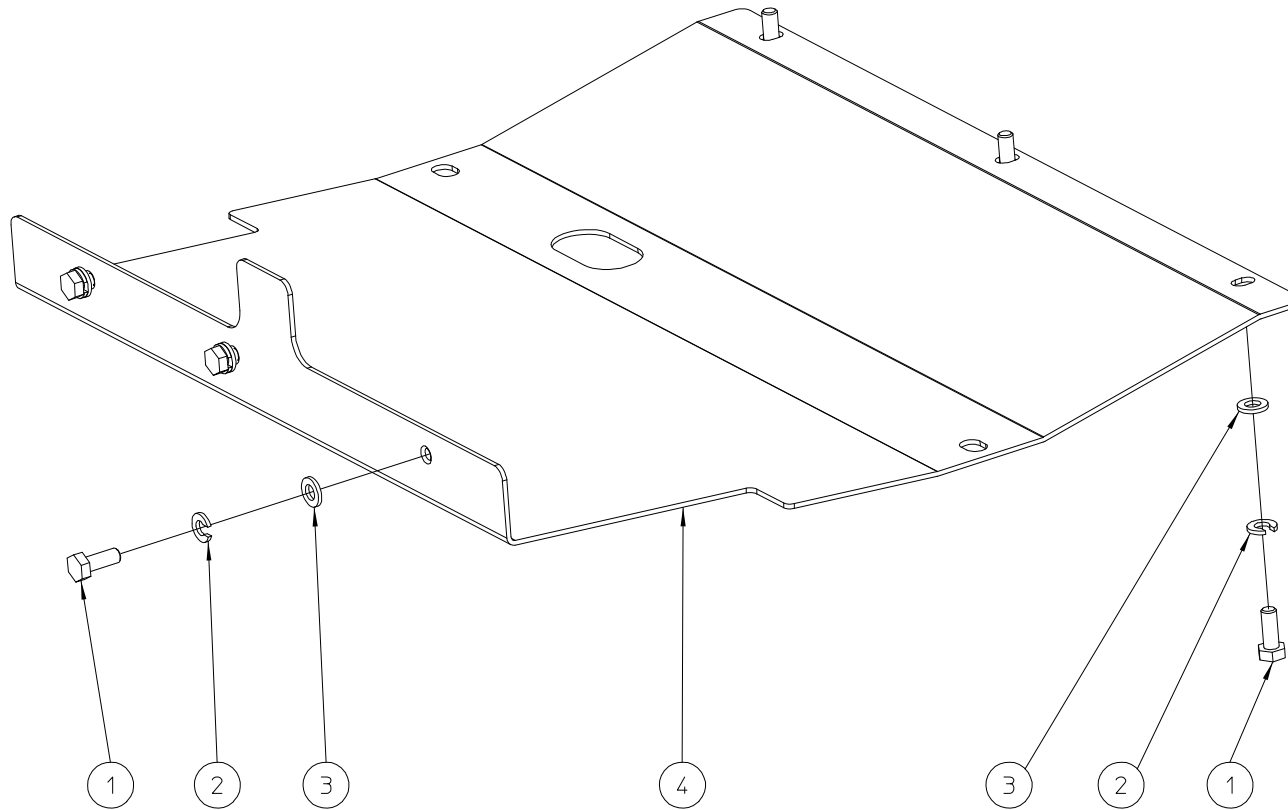
#	Order nr	article description	quantity
1	BS 512 000 848	bolt m8x80 din 933	2
2	BS 502 000 800	self locking nut m8 din 985	6
3	BS 532 008 254	washer m8x25x2	4
4	BS 531 000 800	washer m8 din 125	4
5	BS 554 100 825	bolt m8x25 din 603	4
6	MPA 01 311 130	wheel support	2
7	BS 531 200 800	washer m8 din 7349	4
8	BW 108 512 000	wheel 80/40-38	2
9	MPA 01 240 630	axle roller	2



ELIET SNOWBOB 9018--KIT RALLONGE ECH.

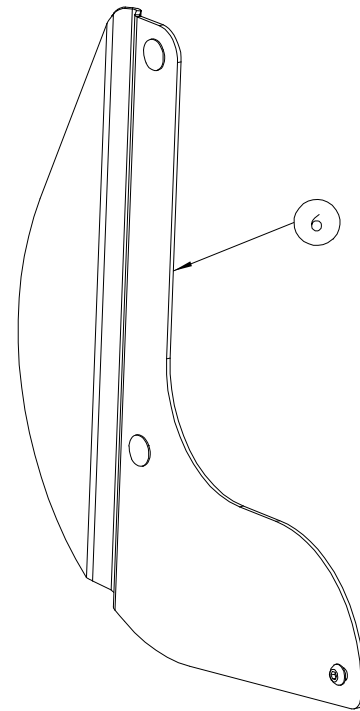
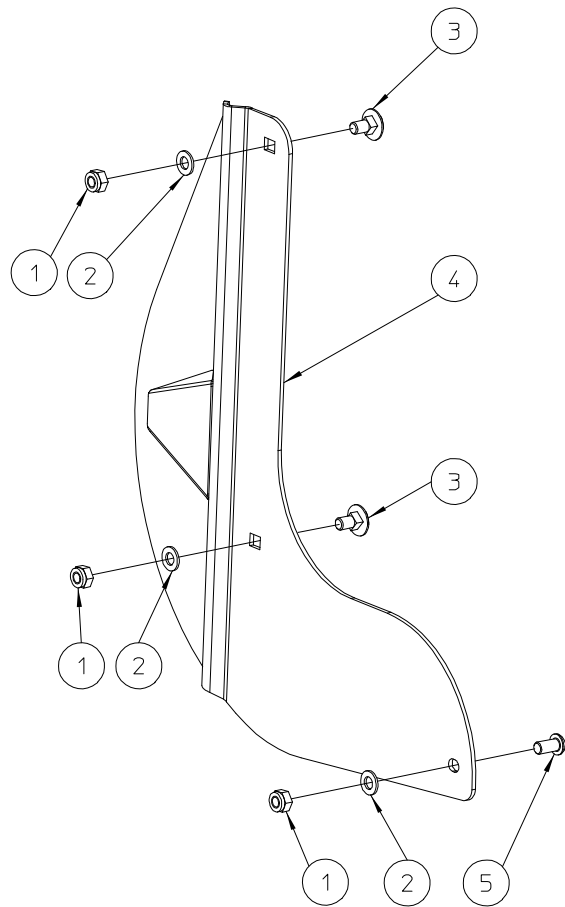
NO	MA 023 001 002	REV	1	DATE	2014/01/30
----	----------------	-----	---	------	------------

#	Order nr	article description	quantity
1	MPA 01 311 950	muffler pipe - option	1
2	BS 512 000 825	bolt m8x25 din 933	2
3	BS 531 000 800	washer m8 din 125	8
4	BS 502 000 800	self locking nut m8 din 985	2
5	BS 549 014 813	screw Ø4.8x13 din 7981	1



ELIET SNOWBOB 9018--PROT. TRANSMISSION					
NO	MA 023 001 004	REV	1	DATE	2014/01/30

#	Order nr	article description	quantity
1	BS 512 000 616	bolt m6x16 din 933	6
2	BS 533 000 600	lock washer m6 din 127b	6
3	BS 531 000 600	washer m6 din 125	6
4	MPA 01 311 960	transmission guard - option	1



ELIET SNOWBOB 9018-PROTECT. COTE FRAISE

NO	MA 023 001 005	REV	1	DATE	2014/01/30
----	----------------	-----	---	------	------------

#	Order nr	article description	quantity
1	BS 502 000 800	self locking nut m8 din 985	6
2	BS 531 000 800	washer m8 din 125	6
3	BS 554 100 816	bolt m8x16 din 603	4
4	MPA 01 312 090	protection augur left	1
5	BS 522 500 816	screw m8x16 iso 7380	2
6	MPA 01 312 100	protection augur right	1